

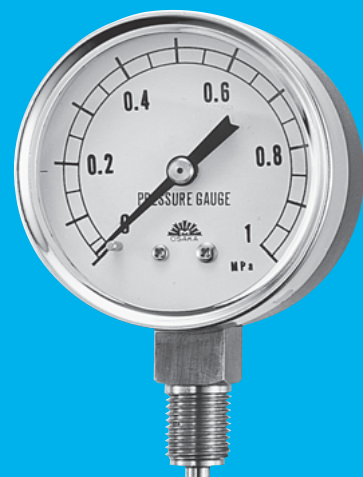
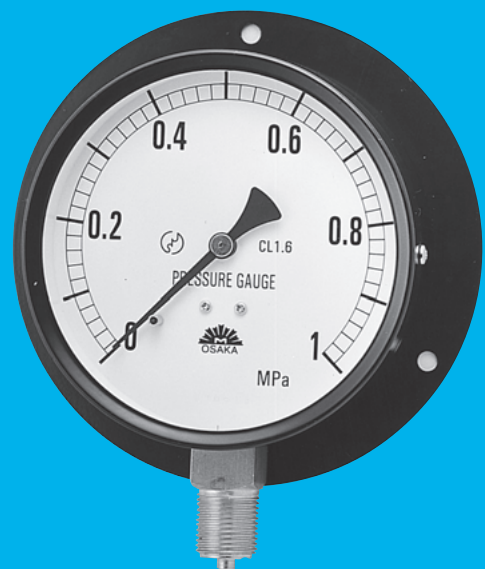
NEW LIGHT WEIGHT GAUGE

DESCRIPTION

The New Right Gauge is of universal type lending itself to a broad spectrum of piping and industrial use. The performance meets the total requirements specified in JIS B7505 (ordinary type). Further, cost reduction is one of the main concerns of the product concept. The New Right Gauge is sure to be an economical answer to budge-concerned projects without sacrificing reliability in performance.

FEATURES

- Price is very competitive due to Asahi's rational mass production system.
- Gauge performance totally meets the requirements as noted in JIS B7505 (ordinary type).
- Prompt shipping is always possible from rich stock.



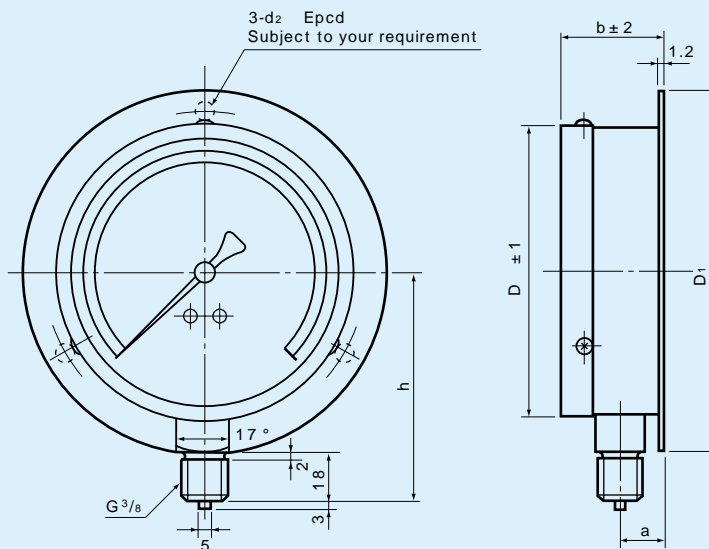
STANDARD SPECIFICATION

Model	102-A230	102-B340	102-B350
Dial Size	60	75	100
Type	AT	BT	BT
Connection	G ^{1/4}	G ^{3/8}	G ^{3/8}
Case	SP Black Bezel Chrome Plated	SP Black	SP Black
Material	BRASS	BRASS	BRASS
Accuracy	± 1.6%FS	± 1.6%FS	± 1.6%FS
Temperature	- 5 ~ + 45		
Other	Pointer Stop at 1MPa with 3 holes for 75, 100		

STANDARD CALIBRATION

MPa	Size		
	60	75	100
0 ~ 0.1			
0.2			
0.25			
0.3			
0.4			
0.5			
0.6			
0.7	-		
1			
1.5			
1.6	-		
2			
2.5			
3.5			
5			
- 0.1 ~ 0			
- 0.1 ~ 0.1	-		
0.2			
0.4			
0.6			
1	-		
1.5	-		
2	-		

Outline dimensions



Size	D	D ₁	b	h	(d ₂)	(E)	a	Weight(Net)
75	78	98	35.5	70	4.5	88	14	400g
100	103	128	37.5	82	5.5	115	14	580g
60	63	--	30	58	--	--	10	135g

Note) Specifications are subject to change without notice.

