

HEXAGONAL WRENCH SET (Heavy duty type)



BR 2000

Square drive 6.4mm(1/4)



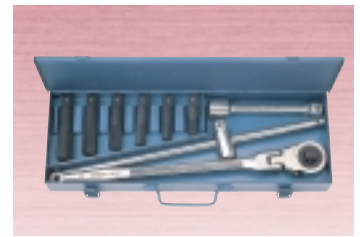
BR 3000

Square drive 9.5mm(3/8)



BR 4000

Square drive 12.7mm(1/2)



BR 6000

Square drive 19.0mm(3/4)

Set contents

(Unit: mm)

Item No.	BR 2000	BR 3000	BR 4000	BR 6000
Hexagonal bit	2B- 1.5 · 2 · 2.5 · 3 · 4 · 5	3B- 3 · 4 · 5 · 6 · 8 · 10	4B- 6 · 8 · 10 · 12 · 14 · 17	6B- 14 · 17 · 19 · 22 · 24 · 27
Driver bit	—	⊕3P ⊖3N	⊕4P ⊖4N	—
Plug connector	2A	3A	4A	—
Extension handle	2E	—	—	—
Cross bar	—	3C	4C	—
Speed drive	—	3D	4D	—
Ratchet handle	RH 200	RH 300A (Fixed head type)	RH 400A (Fixed head type)	RH 600 (Swinging head type)
Extension bar	—	—	—	6X
T-shaped slide handle	—	—	—	6T
Case	Vinyl(220×95×35)	Plastic(230×145×40)	Plastic(350×180×50)	Steel(500×190×60)
Set Weight (kg)	0.3	0.9	2.3	8.0
Total	10 items	13 items	13 items	10 items

RATCHET HANDLE (T-type)

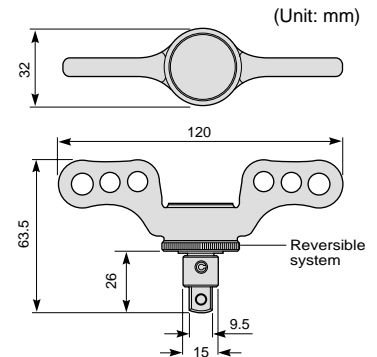


New series

TRH 3

Square drive 9.5mm(3/8)

Very useful for the narrow space by compact style.
Nice handle for hexwrench and socket.
Reversible system by one hand with holding hand.
It uses special materials on each handle and duration is very long due to relevant heat finish.
Weight balance is very good because the object shape is easy to steer quickly.
Light design for easy to fit with hand due to precision casting on the handle.



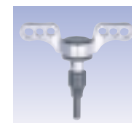
Combination with T-type ratchet handle, extension bar and socket.



Combination with T-type ratchet handle, universal joint and socket.



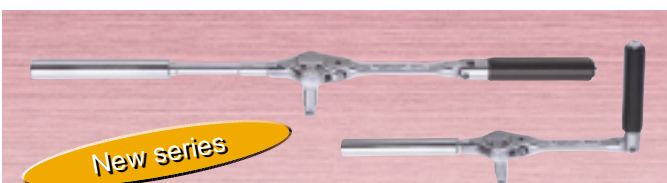
Combination with T-type ratchet handle, and driver bit.



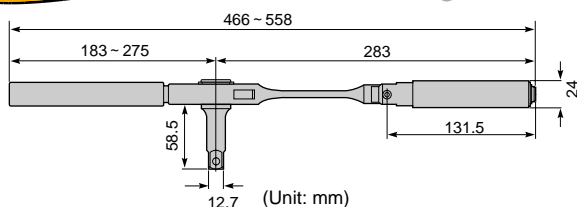
Combination with T-type ratchet handle, and hex bit.

Item No.	Weight (g)	Remarks
TRH 3	230	

RATCHET WRENCH (Telescope handle type) PAT.P.



New series



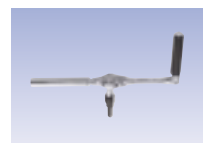
BRH 4

Square drive 12.7mm(1/2)

Example of use



Combination with extension bar, universal joint and socket.



Combination with hex bit.

Powerful reversible ratchet handle.
Very useful for return of the fixed nut, and nut to need a big squeezing power.
Very useful for the narrow and deep spaces due to the continuity of extension bar.
Very powerful for steering quickly due to the bending handle.

Item No.	Weight (g)	Remarks
BRH 4	1,080	